

Compliance

CE certificated post, compliant with standard UNI EN 40-5. 

Description

Lamp post in UNI EN 1561 cast iron and UNI EN 10219-1 steel, hot-galvanized UNI EN ISO 1461 standards and corresponding in shape, size and ornamentation to the diagrams, which are an integral part of the specifications.

Tapered post (A) in steel with a circular cross-section, hot-galvanized, suitable for flange fixing (diam. 266 mm - thickness 18 mm) on a foundation plinth (P).

The post is made up of two tubes welded together at their junctions (B), with dimensions $\varnothing 127 \times 3500 \text{ mm} - \varnothing 102 \times 1900 \text{ mm}$. It is provided with an M10 earthing bolt marked by a small indicator plate, a slot (C - height 186 x 45 mm) for the installation of a Class II insulation terminal board with or without fuse (Conchiglia). The top of the post has six M10 screws (Z) for securing a suspension bracket fitted into the post.

1°) Base element height 1540 mm, with a square plinth (600 x 600 x 210 mm) with cut-off corners, a square section with cut-off corners (380 x 380 x 130 mm) surmounted by a decorative band of twenty-eight ovoli and leaf designs (D), a central section (E) with a square cross-section with cut-off corners (240 x 240 x 660 mm) and an inspection hatch (90 x 360 mm). At the top is a square cymatium (F) with cut-off corners (360 x 360 mm) and an inspection hatch (360 x 360 mm) that supports a tapered section (G) decorated with acanthus leaves in high relief, forming a junction for the cylindrical post (A).

The base is cast as a single piece.

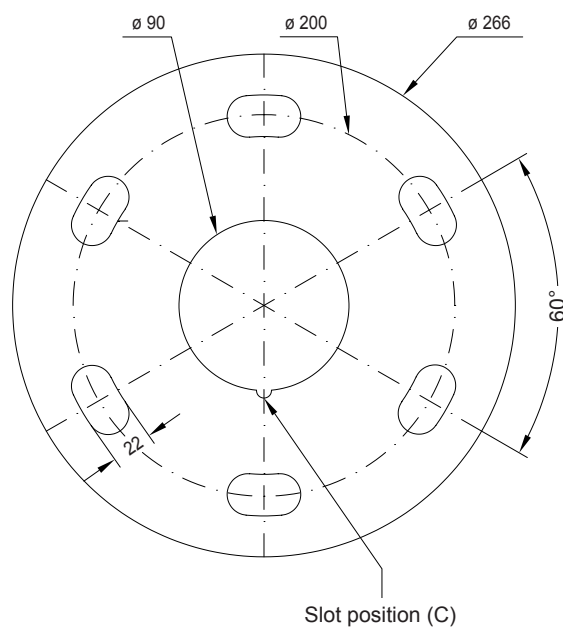
2°- 3°) Cast iron decorative junctions to be fitted at the points where the post narrows (B). Shape and size are as shown in the diagram.

The total height up to the third junction is 5400 mm.

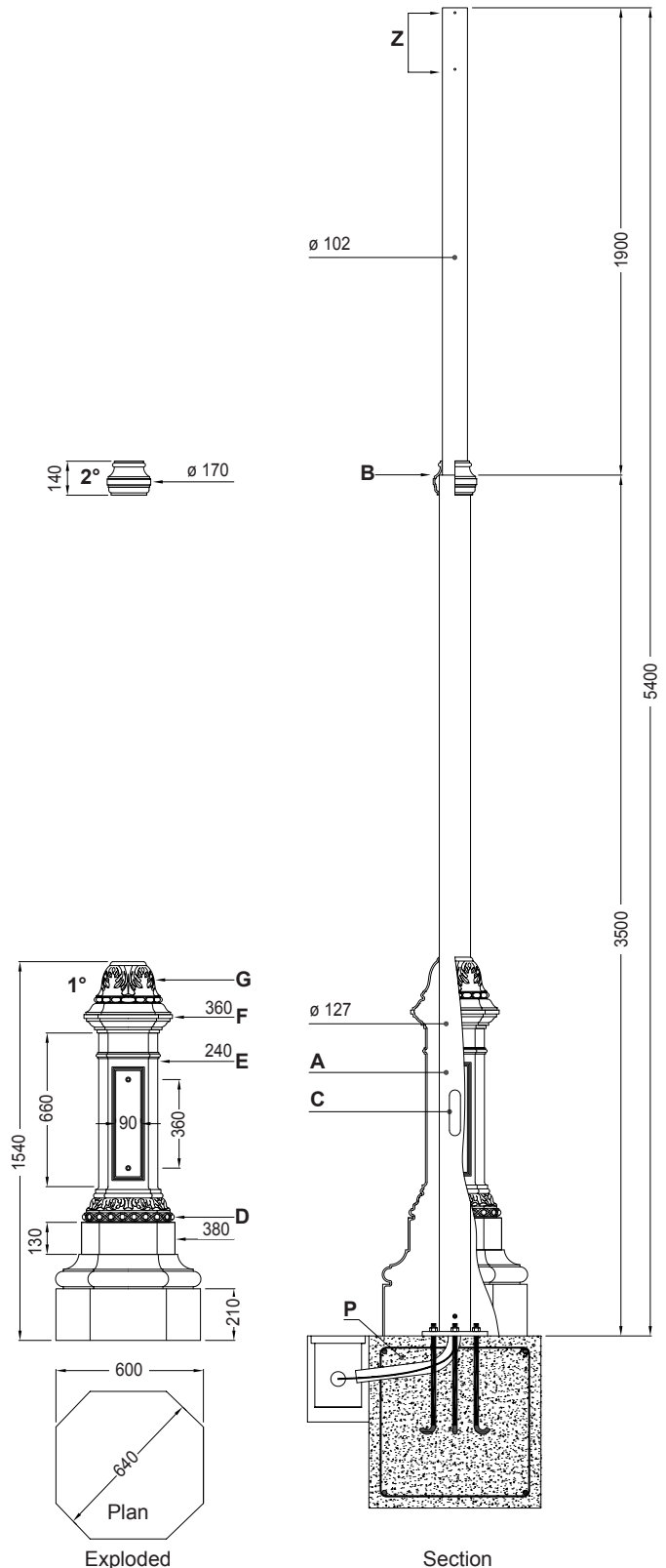
Total weight is 241 Kg.

Protection of surfaces

Please refer to the specification on painting procedures of the materials.



Flange plan
Scale 1:4



NB: The measurements are in millimeters.

Neri S.p.A. Property - Any reproduction and use for its own purposes is forbidden.